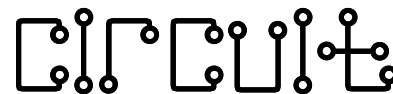


The El Dorado County



Newsletter of the El Dorado County Amateur Radio Club

August, 2016, Vol.10, No. 8

In This Issue

Page 1

President's Message

Page 2

Meeting Minutes

Page 3

Tube of the Month
Ham Testing

Page 4

QSL of the Month

August Meeting

7:15 PM

This Thursday
Federated Church,
Placerville

COAX 101 from
W1RH

Submitting Material to the Circuit

Material may be submitted for publication by sending it directly to the editor. This can be done by US Mail, or via the Internet (preferred). The deadline for each issue is the **Thursday**, one week before the monthly meeting.

by mail
Bob Hess, W1RH
5020 Glory View Drive
Placerville, CA
95667

FROM THE PRESIDENT

I hope this message finds all of you well and happy.

It has been another slow month for me due to my sore feet but I am getting along in spite of them. The VA came through with a set of orthopedic shoes that has reduced my discomfort considerably. Some people complain about the VA but not me. They are doing quite well on my account. Well, enough about me, on with the show.

Another SK (William Hawks, WA6CAP, a former EDCARC member) estate sale has presented itself and this one is a pretty good one including a Collins transceiver and what looks like a Motorola repeater. I only saw the case (it could be empty for all I could tell). There is also plenty of test equipment and RF Amps. There are antennas, towers, and a rack full or large batteries (WWII submarine style???) After two hours of looking around at it all my head was reeling. Anyway, if you think you have a lot of (good) stuff, you ain't seen nuttin yet. If this excites the bargain hunter in you, plan to come up to Garden Valley on Saturday the 27th. Meet me on 2 or 6 meters and I'll guide you in or meet me about 10:30 at GV park. (My apologies for those who I failed to meet last Saturday.)

Anyway, 2016 is huffin' on to a finish and it is not to early to consider who you would like to see as next year's officers. We are fortunate to have some really dedicated people in the club and I encourage all of you to consider making yourself available for service as a club officer. Its not hard work but it does require a small additional amount of your free time, mostly getting to the monthly meeting about an hour ahead of time, and performing the other duties of the office.

Well, that is about all I can think of except to urge you all to support our Nets on Mondays and Tuesdays. Will Nancy ever log 25 persons on the Tuesday night night? Be there and find out. You can help and it'll be fun. I hope to see you all at the monthly meeting on this coming Thursday, the 25th.

Don M Callum

AF6ND

THE AG6AU REPEATERS

YOUR DONATION TO THE REPEATER FUND WILL KEEP US COMMUNICATING!!
IRLP Node 7195 and the AG6AU-R Echolink 668182 node are available for use on the 440 and 2 meter repeaters. Autopatch available on 2/440 repeaters

BAND	FREQUENCY	PL
6 Meters	52.78 MHz	107.2 Hz
2 Meters (local EDH)	147.975 MHz	82.5 Hz
2 Meters (wide area)	147.825 MHz	82.5 Hz
1.25 Meters	224.06 MHz	127.3 Hz
70 Centimeters	441.725 MHz	82.5 Hz
33 Centimeters	927.2375 MHz	127.3 Hz
33 Centimeters	927.2750 MHz	127.3 Hz

EDCARC BOARD MINUTES FOR 7/28/2016

Jordan WC6J, Secretary

BOD meeting started at 18:35

Attendees:

Don AF6ND
Don KG6YST
Vern K6DN
Arron KK6MCY
Bob KR6N
Bob W1RH
Jordan WC6J

Old Business:

Don AF6ND has contacted the church and the Christmas / Holiday party has been booked for January 14th.

Jordan WC6J reported that the club has not had a Treasurer's report for five months. Don AF6ND reported that earlier in the month he contacted the Treasurer who indicated that he would still be able to continue on with his duties as Treasurer. Don KG6YST moved that we vote to replace the Treasurer given that the Treasurer has missed six Board meetings, has not communicated his absence to any Board member, and has not provided a current Treasurer's report in five months. The Motion passed to replace the current Treasurer.

Jordan WC6J reported that he has built a CSV17 antenna launcher at a cost of \$79 for materials. He will make an announcement in the general meeting to see if there an interest in having a Club Build Party to make the antenna launchers.

New Business:

Bob W1RH would like to see the Club run a special event during the Gold Discovery Weekend celebration at Coloma State Park in January. Jay KE6GLA volunteered to contact Coloma State Park to get more information.

Richard N6MOV was voted in as a new Club member.

BOD adjourned 19:05

General Meeting:

Seven Club members expressed interest in building an antenna launcher. Jordan WC6J will contact those members with details on the build date.

Rick WA6NHC moved that the Club purchase/build an antenna launcher for use by Club members. Motion passed.

Phil KK6YYD asked if there was interest in having patches made with the Club insignia. Jay KE6GLA moved to have the patches made and distribute them to Club members. Motion passed.

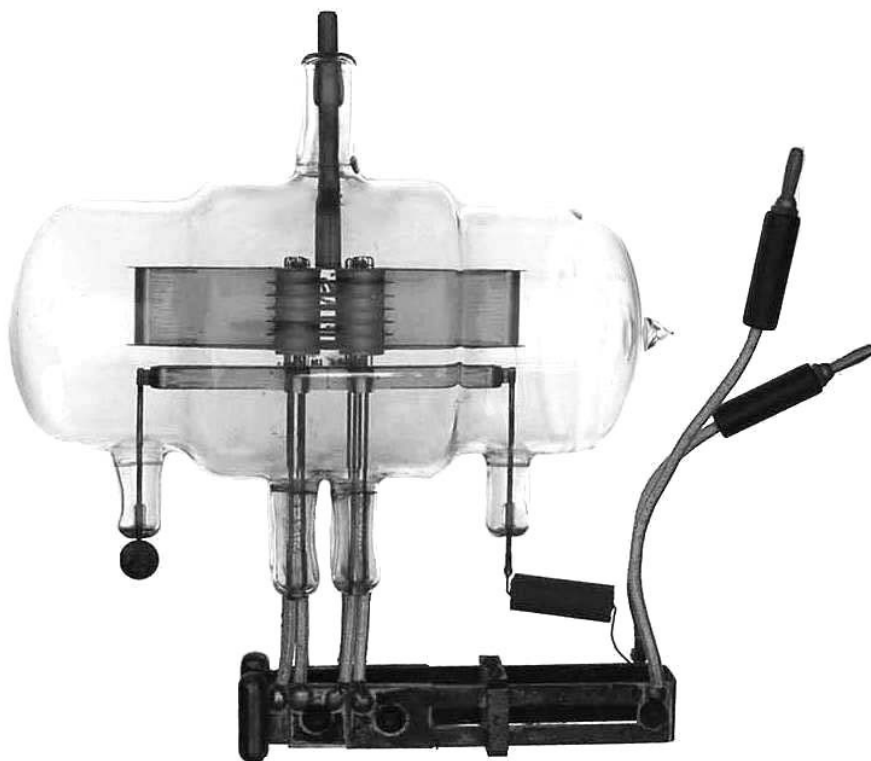
Presentation:

A member from the Folsom Historical Society gave a slide presentation on the history of Folsom and the surrounding area.

Tube of the Month
Norm, N6JV
Visit the Museum at n6jv.com

VT-158

Early high power RADARs during WWII were relatively low frequency. Ring oscillators were made using several specially designed triodes and would work at about 200 MHz. This was very high frequency for the early 1940s. These units were very large and not very portable. The need for more portable RADAR units for the Army had the research department at Fort Monmouth, NJ dedicated to the problem. Major Zahl developed the idea of building a single tube that would combine the power of multiple tubes in the same envelope. This was nothing new except for the size and the incorporation of tuned lines as part of the unit. Prototypes were made and



tested and eventually the new tubes designated the VT-158 were produced by Eimac, Machlett and H&K.

The early low frequency RADAR units were easily jammed by the enemy. There was a race on by both sides to get higher power at higher frequency that the other side couldn't jam. New equipment was quickly obsolete. The VT-158 operated at 600 MHz so was a big jump in frequency. By the time it was fielded in the AN/TPS-3 RADAR, new equipment was already making it obsolete. This unit had a pulsed output of 240 KW and was triggered by a rotary spark gap. The tube was mounted in a wooded box so the operator was getting cooked as well as shot at.

**HAM RADIO
LICENSING TESTING**



**September 10th, 2016
9:00 AM**

**THE AMERICAN
LEGION
POST 119**

**4561 GREENSTONE Rd.
PLACERVILLE, CA 95667**

**FEES ARE \$14.00
(Subject to change)**

**CONTACT:
KEN VOGELE, W6KWV
530-642-9523**



QSL OF THE MONTH

Bob, W1RH

This month's QSL card comes to us from Rick, WA6NHC. Rick worked this isolated island in November, 2013, on 20 meter CW.

The ZD80 callsign was used for contest operations, between 2010 and 2013, by Marko, N5ZO. Marko has operated from all over the world, but Ascension Island has got to be one of the most remote locations.

Ascension Island is part of a British Overseas Territory which in-



cludes Saint Helena Island and the Island group of Tristan da Cunha.

From the CIA Factbook:

This barren and uninhabited island was discovered and named by the Portuguese in 1503. The British garrisoned the island in 1815 to prevent a rescue of Napoleon from Saint Helena. It served as a provisioning station for the Royal Navy's West Africa Squadron on anti-slavery patrol. The island remained under Admiralty control until 1922, when it became a dependency of Saint Helena. During World War II, the UK permitted the US to construct an airfield on Ascension in support of transatlantic flights to Africa and anti-submarine operations

in the South Atlantic. In the 1960s the island became an important space tracking station for the US. In 1982, Ascension was an essential staging area for British forces during the Falklands War. It remains a critical refueling point in the air-bridge from the UK to the South Atlantic. The island hosts one of four dedicated ground antennas (the others are on Diego Garcia (British Indian Ocean Territory), Kwajalein (Marshall Islands), and at Cape Canaveral, Florida (US)) that assist in the operation of the Global Positioning System (GPS) navigation system. NASA and the US Air Force also operate a Meter-Class Autonomous Telescope (MCAT) on Ascension as part of the deep space surveillance system for tracking orbital debris, which can be a hazard to spacecraft and astronauts.

To have your favorite QSL card featured in the Circuit, just email me an electronic copy or trust me with a hard copy and I will scan it and return it to you in same the condition I received it.

First Class Postage

Post Office
Will Not
Deliver
Without
Proper
Postage

El Dorado County Amateur Radio Club
PO Box 451
Placerville, CA 95667

Club Information 2016

President	Don McCallum	AF6ND		mcchalium@gmail.com
Vice President	Don Brooks	KG6YST		drbjfb@yahoo.com
Treasurer	Nancy Harmor	KG6PNP		
Secretary	Jordan Heichman	KJ6NHF		radon@jordan-h.com
Board Member	Bob LeClerc	KR6N		kr6n@comcast.net
Board Member	Verne Terwilliger	K6DN		verne.terwilliger@gmail.com
Board Member	Mark Ashurst	KJ6EUO		
Board Member	Aaron Tassin	KK6MCY		
Repeater Trustee	Bob Hess	W1RH	530-350-3843	w1rh@arrl.net
Newsletter Editor	Bob Hess	W1RH	530-350-3843	w1rh@arrl.net
Webmaster	Jay Harmor	KE6GLA		jharmor@comcast.net

- ◆ Meeting: Club meetings are normally held on the 4th Thursday of each month (except for June and November), 7:15 PM, at the Federated Church, 1031 Thompson Way, Placerville
- ◆ Club Nets: Tuesday evenings, 8:00 PM, on the AG6AU repeater, 147.825 MHz / 441.725 MHz / 52.78 MHz / 927.275
- ◆ Mailing Address: El Dorado County ARC, P.O. Box 451, Placerville, CA 95667